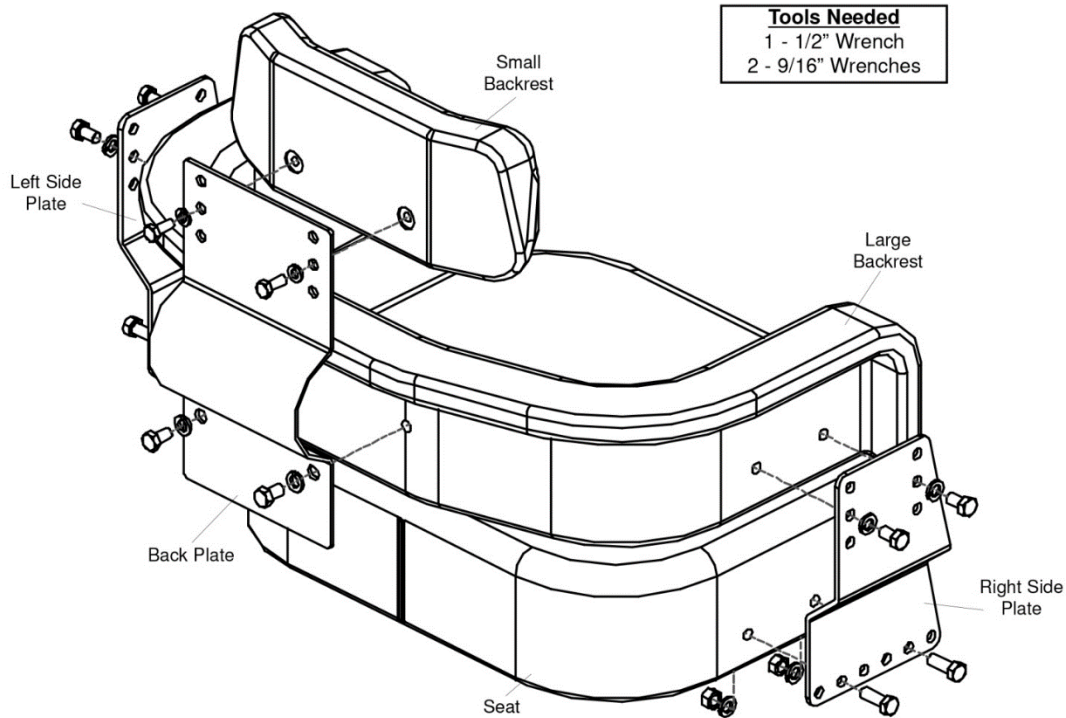




# S400700BU [Cushion Set, Black & White Vinyl, Unassembled w/Brackets – (3 pc.)]

## Instruction Guide



1. Attach the right side plate and left side plate to the sides of the seat as shown. Fasten with four 3/8" x 1" bolts, lock washers and nuts. Only fasten tight at this time. Any set of holes can be used depending on the desired front to back position of the backrests. The same set of holes must be used on both sides
2. Attach the large backrest to the side plates using four 3/8" x 5/8" bolts and lock washers. Any set of holes can be used depending on the desired vertical position of the backrests. Tighten all eight bolts securely at this time
3. Attach the bottom end of the back plate to the large backrest using two 3/8" x 5/8" bolts and lock washers
4. Attach the small backrest to the back plate using two 5/16" x 3/4" bolts and lock washers. Any set of holes can be used depending on the desired vertical position of the small backrest