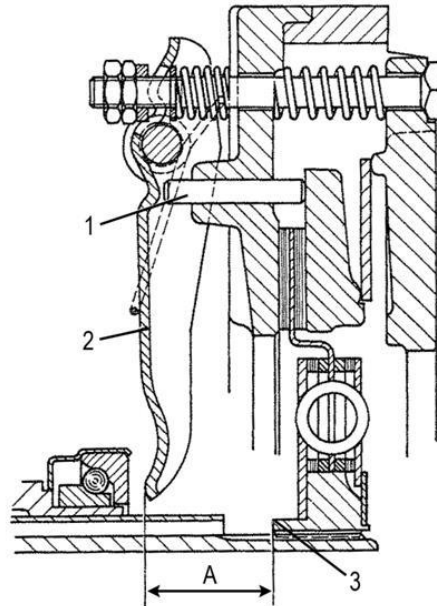




R55140N [11" Dual Stage Pressure Plate - New]

Instruction Guide

Inspect unit and realign if necessary or warranty may be void. During shipment, Belleville spring and/or cast plate drive lugs may become misaligned. If problems have occurred, remove lever nuts, reassemble in flywheel, and then adjust as explained below



A = Distance between clutch release levers
and hub face of rear driven disc

- 1 = Release Pin
- 2 = Release Lever
- 3 = PTO Disc Hub

Flywheel measurement from clutch mounting surface to disc friction surface: 2.205"

A release lever adjustment must be done after the clutch assembly has been bolted to flywheel. Measure from top of the disc hub to the release lever (refer to diagram)

A = 1.470"