

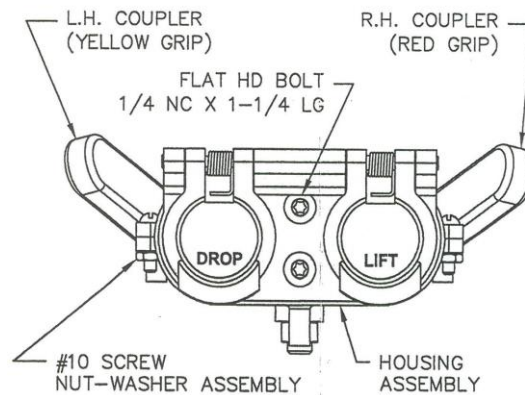


Coupler

Installation Guide

Assembly Instructions

1. Position the couplers in the clamps so the levers are directly to the side.
2. Install the #10 screws and nut-washer assemblies.
3. Position clamp bar either above or below clamps and install 3/8 bolts and hex lock nuts.
4. Remove gasket from housing assembly and install over coupler sleeve and against face of clamps. Make sure gasket fits into groove on coupler sleeve.
5. Place housing in position. Make sure gasket fits inside the lit around the face of the housing.
6. Install 1/4 flat head bolts.



Operating Instructions

1. The coupler, when clamp mounted, allows you to push to connect and pull to disconnect.
2. Place the lever in the closed position when connecting or disconnecting implement lines.
3. Place the lever in the open position to lock the valves of the coupler and the male tip open.
4. When the coupler has not been in use for long periods of time, place the lever in the open position and then turn it back to the closed position before connecting the implement lines.
5. Coupler valve will close automatically during breakaway.
6. Pioneer coupler are not field repairable other than the interfacing o-ring.

